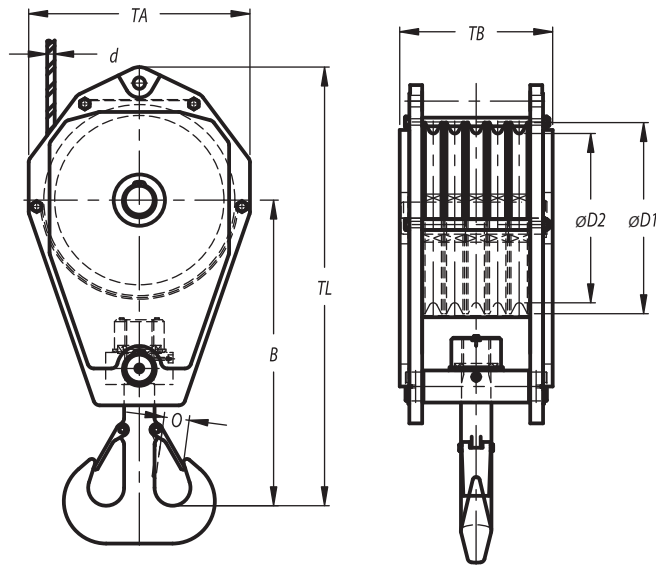


Can also be delivered with:



KRAANBLOK 5 SCHIJVEN



Stock No.	Model No.	WLL (tons)	Wire d (mm)	Dimensions (mm)									Weight (kgs)
				D1	D2	B	O	TA	TB	TL	T	Z	
22.280.025.51	SRB 250.5.25	25	11-12	280	250	650	47	360	310	850	22	27	250
22.320.032.51	SRB 285.5.32	32	13-14	320	285	725	57	400	310	950	28	32	300
22.365.040.51	SRB 320.5.40	40	15-16	365	320	800	60	450	440	1035	28	32	420
22.410.050.51	SRB 355.5.50	50	17-18	410	355	840	60	500	440	1100	35	37	500
22.460.063.51	SRB 400.5.63	63	19-20	460	400	880	63	570	450	1175	40	43	620
22.515.080.51	SRB 450.5.80	80	21-22	515	450	1100	73	600	450	1425	40	43	750
22.595.100.51	SRB 520.5.100	100	24-26	595	520	1250	87	680	450	1600	45	52	900
22.650.125.51	SRB 570.5.125	125	28-29	650	570	1350	108	750	575	1750	50	59	1250
22.720.160.51	SRB 630.5.160	160	30-32	720	630	1540	112	850	575	2000	60	65	1600

Minimum Ultimate Strength = 4 x WLL.

Standard fitted with cylindrical roller bearing and becket.

Standard painted in yellow with black stripes.

Standard sheaves of reeve blocks can be adjusted to other wire rope diameters.