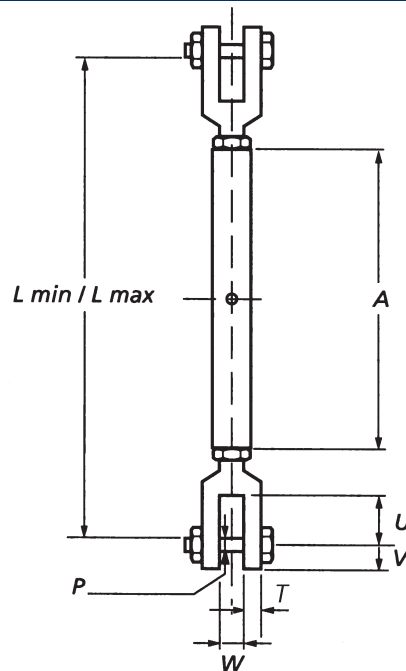


Turnbuckles TR series
jaw - jaw

Turnbuckles with trapezoid thread

Stock No.	WLL (tons)	L min (mm)	L max (mm)	Take-up (mm)	Thread (trap.)	Dimensions (mm)						Weight (kgs)
						A	P	U	V	W	T	
41.001.00.11	1	354	522	168	18 x 4	220	16	50	17.5	19	8	2
41.001.60.11	1.6	384	572	188	22 x 5	240	20	55	22.5	23	11	3
41.002.00.11	2	412	612	200	24 x 5	260	22	58	25	26	12	4
41.002.50.11	2.5	506	712	206	28 x 5	280	24	73	27.5	30	12	6
41.003.10.11	3.1	537	765	228	30 x 6	300	27	80	30	32	15	8
41.004.00.11	4	569	810	241	32 x 6	320	30	86	32.5	35	15	10
41.005.00.11	5	610	850	240	36 x 6	340	36	93	37.5	40	20	15
41.006.30.11	6.3	691	954	263	44 x 7	380	39	108	42.5	45	20	21
41.008.00.11	8	742	1038	296	48 x 8	420	45	112	47.5	50	25	31
41.010.00.11	10	793	1102	309	52 x 8	460	48	115	55	60	25	40
41.012.60.11	12.6	862	1202	340	55 x 9	500	52	122	60	65	30	52
41.016.00.11	16	926	1280	354	65 x 10	540	60	130	65	70	30	69
41.020.00.11	20	1010	1392	382	70 x 10	580	68	145	70	75	35	85
41.025.00.11	25	1084	1488	404	75 x 10	620	72	160	75	80	35	98
41.031.50.11	31.5	1170	1600	430	80 x 10	660	80	175	85	90	40	141
41.040.00.11	40	1280	1775	495	90 x 10	695	90	190	92	100	45	176
41.050.00.11	50	1390	1940	550	100 x 10	770	100	205	102	110	50	240
41.063.00.11	63	1525	2130	605	110 x 10	845	110	220	112	120	60	340
41.080.00.11	80	1655	2315	660	120 x 10	920	125	235	127	140	70	420
41.100.00.11	100	1750	2465	715	130 x 10	995	140	250	142	156	70	510
41.125.00.11	125	1880	2650	770	140 x 10	1070	160	270	162	176	80	600
41.160.00.11	160	2090	2970	880	160 x 10	1220	180	290	182	200	90	690

Minimum Ultimate Strength = 5 x WLL.

Standard painted blue, but can be supplied in any color or galvanized.

Available in all combinations of eyes, stud eyes and welding ends. Factory supplied with lock nuts.

Lock plates or special locking devices possible. Can be supplied with turning wheel or ratchet. Other sizes possible.

Straight or in-line pull only.