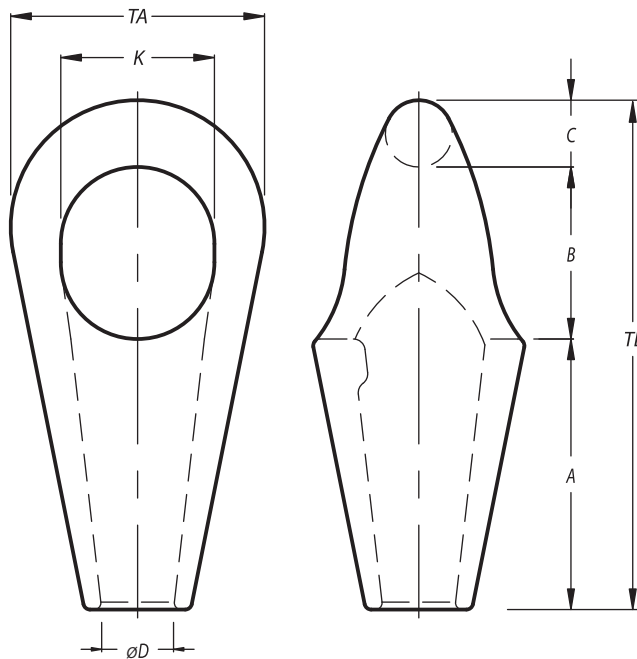


**Sockets**
**Short Bow Sockets**


Stock No.	Model No.	MBL (tons)	for wire ø		Dimensions (mm)							Weight (kgs)
			(mm)	(inch)	A	B	C	øD	K	TA	TL	
44.517.00.10	SBS 517	160	37 - 42	1½ - 1 <sup>5</sup> / <sub>8</sub>	162	103	38	44	92	147	300	9
44.519.00.10	SBS 519	200	43 - 48	1¾ - 1 <sup>7</sup> / <sub>8</sub>	188	120	42	51	112	178	348	15
44.522.00.10	SBS 522	250	49 - 54	2 - 2 <sup>1</sup> / <sub>8</sub>	204	132	54	57	120	200	390	22
44.524.00.10	SBS 524	320	55 - 60	2¼ - 2 <sup>3</sup> / <sub>8</sub>	230	148	62	63	135	220	440	27
44.526.00.10	SBS 526	400	61 - 68	2½ - 2 <sup>5</sup> / <sub>8</sub>	235	165	68	73	150	250	468	40
44.527.00.10	SBS 527	500	69 - 75	2¾ - 2 <sup>7</sup> / <sub>8</sub>	287	178	75	79	164	274	540	54
44.528.00.10	SBS 528	600	76 - 80	3 - 3 <sup>1</sup> / <sub>8</sub>	314	195	76	86	175	295	585	75
44.529.00.10	SBS 529	700	81 - 86	3¼ - 3 <sup>3</sup> / <sub>8</sub>	327	216	82	92	194	320	625	81
44.530.00.10	SBS 530	800	87 - 93	3½ - 3 <sup>5</sup> / <sub>8</sub>	358	220	92	99	202	350	670	115
44.531.00.10	SBS 531	900	94 - 102	3¾ - 4	365	235	100	105	215	375	700	130
44.533.00.10	SBS 533	1000	108 - 115	4¼ - 4½	420	270	110	115	240	410	800	180

MBL = Minimum Breaking Load.

Standard all sockets are painted blue, but can be supplied galvanized (last digits 20).

All sockets can be supplied with EN 10204/DIN 50049 3.1 certificate (no additional costs).

Other than 3.1 certificates on request and at additional costs.