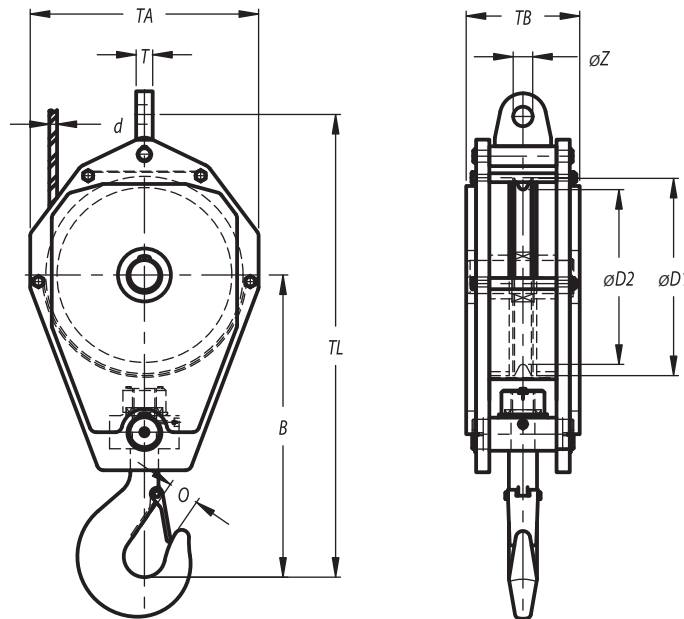


Can also be delivered with:



KRAANBLOK

Stock No.	Model No.	WLL (tons)	Wire d (mm)	Dimensions (mm)									Weight (kgs)
				D1	D2	B	O	TA	TB	TL	T	Z	
22.280.008.11	SRB 250.1. 8	8	11-12	280	250	460	49	360	195	730	22	27	100
22.320.010.11	SRB 285.1.10	10	13-14	320	285	550	55	400	195	850	28	32	125
22.365.012.11	SRB 320.1.12	12	15-16	365	320	590	55	450	215	915	28	32	170
22.410.016.11	SRB 355.1.16	16	17-18	410	355	665	59	500	215	1005	35	37	210
22.460.020.11	SRB 400.1.20	20	19-20	460	400	740	69	570	230	1120	40	43	250
22.515.025.11	SRB 450.1.25	25	21-22	515	450	770	69	600	230	1180	40	43	300
22.595.032.11	SRB 520.1.32	32	24-26	595	520	900	76	700	230	1365	45	52	400
22.650.040.11	SRB 570.1.40	40	28-29	650	570	975	84	750	313	1515	50	59	600
22.720.050.11	SRB 630.1.50	50	30-32	720	630	1025	97	825	333	1495	60	65	850

Minimum Ultimate Strength = 4 x WLL.

Standard fitted with cylindrical roller bearing and becket.

Standard painted in yellow with black stripes.

Standard sheaves of reeve blocks can be adjusted to other wire rope diameters.